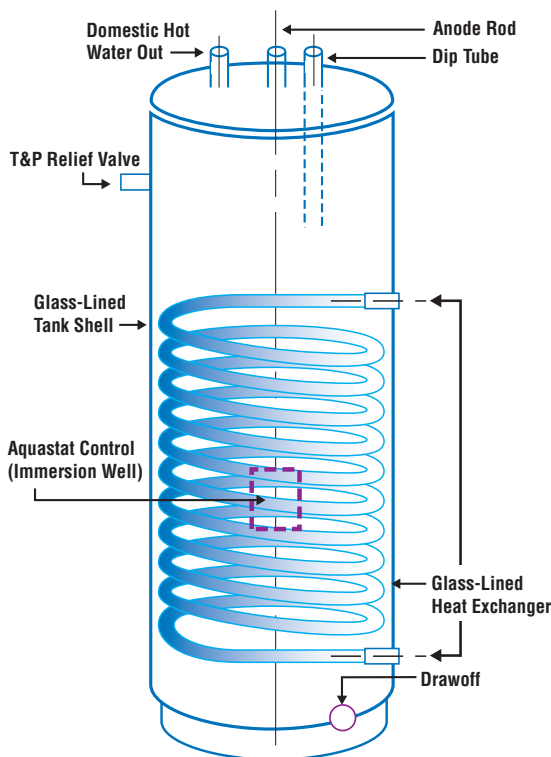


Therma-Flow AquaPlus™ with "Mega Coil"



Photo: 38-gallon capacity AquaPlus Model AP-40



Glass-Lined Indirect Water Heater

Therma-Flow provides the ideal solution to supplying ever ready, ever hot, and an always plentiful supply of domestic hot water for your home or business.

Each **Therma-Flow AquaPlus™** tank with its specially designed **Mega Coil** heats water by capturing the energy created by your existing boiler. It's called an "indirect water heater," because it's linked to your boiler and stores hot water at the desired temperature.

The **AquaPlus** tank is thermally wrapped so it easily maintains hot water temperature and, because the **AquaPlus** is glass-lined, it offers exceptional long term performance. It's durable and the **Mega Coil** assures you of a reliable way to meet your most demanding hot water requirements.

AquaPlus tanks are designed to serve a wide range of hot water applications and provide superior performance with all kinds of hydronic, radiant heat and steam heating systems. Households with multiple appliances and bathrooms, whirlpools, and hot tubs, benefit from an ample supply of hot water without concern of runouts.

AquaPlus component features include:

- Glass-lined heat exchanger within a glass-lined tank
- Over sized **Mega Coil** guarantees superior heat transfer
- Optional state-of-the art aquastat control (thermostat)
- Stylish outer jacket
- Various sizes to ensure a proper application for home or business



AQUAPLUS HAS A 7 YEAR WARRANTY.
A PRODUCT OF THERMA-FLOW, INC., WATERTOWN, MA
RECOGNIZED FOR EXCELLENCE IN WATER HEATING.
 PHONE/FAX: 617-924-3877 • FAX: 617-924-7271
 E-MAIL / WEB SITE: sales@tfi-everhot.com • WEB SITE: www.tfi-everhot.com
 FACTORY: Therma-Flow, Inc. • 191 Arlington St. • Watertown, MA 02472
 MAIL: P.O. Box 416 • Watertown, MA 02471-0416

AquaPlus™ With Mega Coil Specifications/Component Information

| Characteristics | AP-40 | AP-60 | AP-80 | AP-115 |
|--------------------------------|----------------------------|------------|-------------|-------------|
| Pump Capacity, gal. per minute | 8gpm@200°F | 8gpm@200°F | 12gpm@200°F | 12gpm@200°F |
| Capacity (gal.) | 38 | 58 | 75 | 99 |
| Boiler Output (MBH) | 96 | 100 | 120 | 120 |
| Test Pressure 300 psi | Working 150 psi ALL MODELS | | | |

Output (gal.)

| | | | | |
|------------|-----|-----|-----|-----|
| First Hour | 183 | 203 | 260 | 290 |
| Continuous | 150 | 156 | 190 | 192 |

Connections (inches)

| | | | | |
|----------|----------|----------|--------|--------|
| Domestic | 3/4" MPT | 3/4" MPT | 1" MPT | 2" MPT |
| Boiler | 1" FPT | 1" FPT | 1" FPT | 1" FPT |

Dimensions (inches)

| | | | | |
|-----------------|-----|-----|-----|-----|
| Diameter | 22 | 22 | 24 | 28 |
| Height | 40 | 60 | 60 | 60 |
| Shipping Weight | 220 | 235 | 294 | 395 |

Ratings based on 77°F rise with 58°F inlet potable water.

Shipping weights are approximate. Data is subject to revision without notice.

Consult factory for application assistance.

PHONE/FAX: 617-924-3877

FAX: 617-924-7271

E-MAIL: sales@tfi-everhot.com

WEB SITE: www.tfi-everhot.com

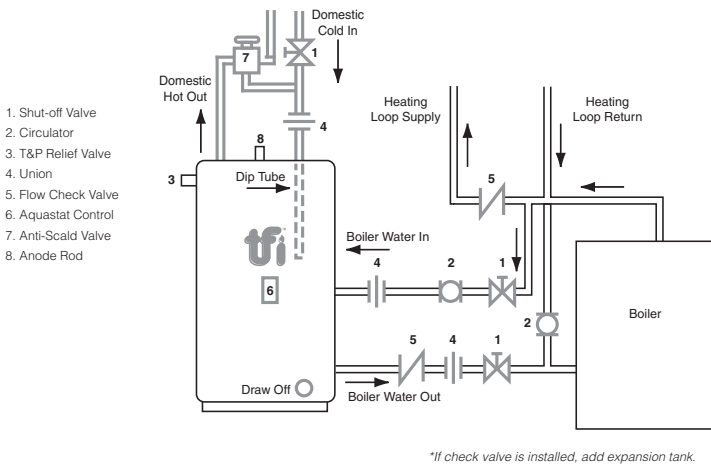
FACTORY:

191 Arlington Street
Watertown, MA 02472

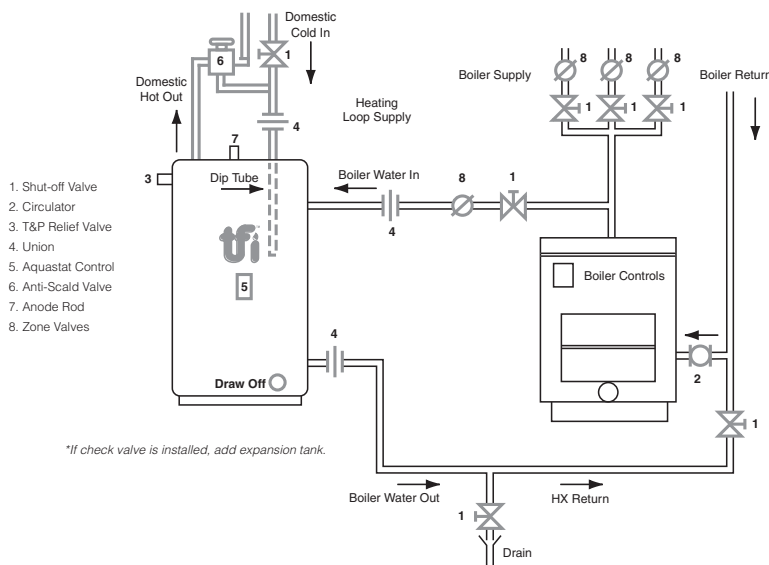
MAIL:

Therma-Flow, Inc
P.O. Box 416
Watertown, MA 02471-0416

INSTALLATION DIAGRAM — CIRCULATOR



INSTALLATION DIAGRAM — ZONE VALVE



WIRING NOTE:

The 90224 Aquastat is polarity-sensitive with some controls. If the 90224 goes to lockout on power up, disconnect power. Swap the wires coming to the black/red and black/yellow lead wires. Restore power and restart.

