

**“Everhot Alternative” Tankless Water Heaters**

**Designed to “outperform and out-produce” all comparably sized direct-fired or indirect storage water heaters.**

The Therma-Flow/Everhot EA Series of water heaters are designed for the widest range of residential, multi-unit, commercial, and industrial applications.

These water heaters will produce abundant hot water as a companion to any hot water or steam boiler, regardless of the fuel used. They make maximum use of the efficiency and high BTU input of the boiler, while adding 14 to 35 gallons of essential boiler water BTU storage medium to the system. This is of particular value to multi-unit, commercial, and industrial applications, where a boiler dedicated to hot water production by an Everhot EA Series tankless will provide the best hot water satisfaction and economy.

**FEATURES:**

- **Solid copper construction for durability, purity, and high temperature capability**
- **Bacteria-killing temperatures attained prior to any desired tempering**
- **Maximum heat transfer surface for rapid recovery.**
- **Enhanced BTU storage capacity assures abundant hot water**
- **No dilution loss from incoming cold water, as occurs with storage-type units**
- **Foam insulated for high R-value and negligible standby loss**
- **“Cold-start” capability with extended-draw models (Upsized shells)**
- **Extended-draw capability; ideal for whirlpool bathtub applications, and multi-unit, commercial and industrial high demand needs**
- **Virtually maintenance-free**

**WARRANTIES:**

- **3 year domestic, commercial, industrial warranty**



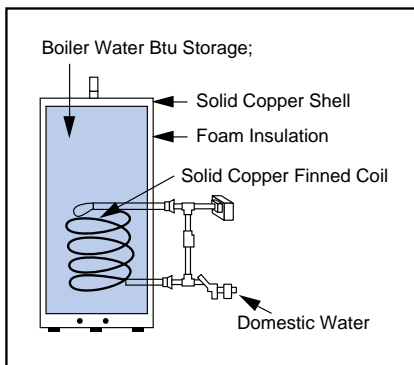
## SPECIFICATIONS: Extended Draw "EA" Series (Upsized Shells)

Model Number	G.P.M. Rating	Boiler Water Storage (Gals.)	Female Boiler Connections	Male Domestic Connections	Overall Height	Overall Width	Approx. Ship. Weight (lbs.)
EA 6-16	6	14	1" n.p.t.	3/4" n.p.t.	25"	16 1/2"	57
EA 8-20	8	17	1"	3/4"	28"	16 1/2"	80
EA 8-50	8	30	1"	3/4"	42"	16 1/2"	93
EA 10-50	10	30	1 1/4"	3/4"	42"	16 1/2"	107
EA 12-35	12	23	1 1/4"	3/4"	36"	16 1/2"	107
EA 12-100	12	35	1 1/4"	3/4"	50"	16 1/2"	119
EA 16-100	16	35	1 1/4"	1"	50"	16 1/2"	130
EA 20-100	20	35	1 1/2"	1 1/4"	50"	16 1/2"	142
EA 25-100	25	35	1 1/2"	1 1/2"	50"	16 1/2"	154
EA 30-100	30	35	1 1/2"	1 1/2"	50"	16 1/2"	168
EA 35-100	35	35	2" or 3"	1 1/2"	50"	16 1/2"	184
EA 50-100	50	35	2" or 3"	2"	50"	16 1/2"	200

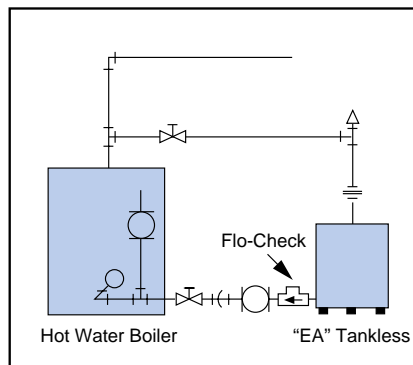
### NOTES:

- All models available with special low pressure drop "RH" coils. Designate "RH" models by adding prefix; for example, EA-RH 20-100.
- All models available with special cupro-nickel coils.
- All models available with special restaurant-type (140° rise) coils.
- "EA" installations require induced circulation of boiler water.
- G.P.M. ratings based on 90°F rise and maintenance of 200°F boiler water.

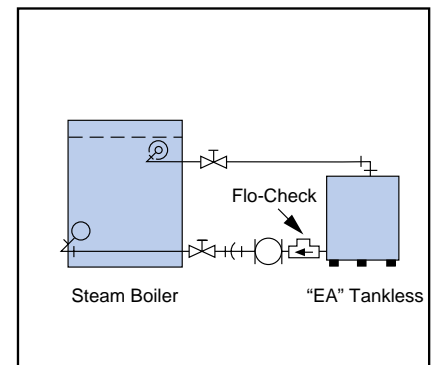
All specifications and warranties are subject to change upon distribution of superseding literature or written advice.



"EA" Series Extended-Draw Tankless



Basic Hot Water System Configuration



Basic Steam System Configuration

PHONE/FAX: 617-924-3877 • FAX: 617-924-7271 • TOLL FREE PHONE: 1-800-654-8045

E-MAIL / WEB SITE: sales@tfi-everhot.com • WEB SITE: www.tfi-everhot.com

FACTORY: Therma-Flow, Inc. • 191 Arlington Street • Watertown, MA 02472 • MAIL: P.O. Box 416 • Watertown, MA 02471-0416