



Center Flue Model



Rear Flue Model

GLASS LINED AND SOLID COPPER UNITS

Available in Rear Flue & Center Flue Models

(Center Flue available with glass lining only.)

Therma-Flow Oil Fired Water Heaters are designed and built to provide the homeowner and commercial user with dependable, highly efficient, production of hot water within a durable, long lasting water heater unit.

All units are periodically tested by an independent laboratory to assure the highest achievable ratings for efficiency and reliable hot water flow.

Therma-Flow Oil Fired Water Heaters feature ease of maintenance. All piped fittings are accessible from the front of the heater for servicing. The "female" T&P adapter will directly accept the "male" temperature and pressure relief valve. Adding a coupling is no longer necessary. There is an extra large observation door for flame inspection and testing.

STANDARD FEATURES INCLUDE:

- Unique top piping feeds for both hot and cold water fittings. Piping feeds slightly different on copper units.
- Heavy duty glass lined steel tank or heavy duty solid copper tank.
- Attractive baked enamel steel jacket.
- High density blanket insulation.

ALL THERMA-FLOW OIL FIRED WATER HEATERS ARE EQUIPPED WITH:

- Quality, fuel efficient Beckett or Carlin flame retention burner.
- Burner and immersion type dual aquastat prewired at factory.
- Oil burner nozzle is installed at factory.

PERFORMANCE GUARANTEES:

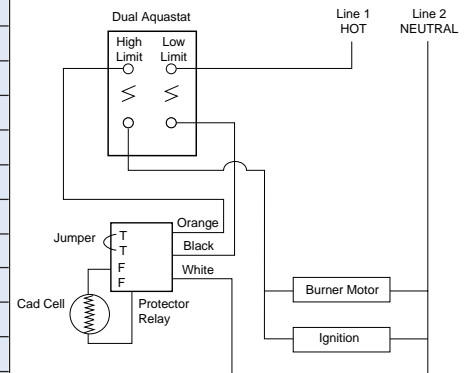
Residential: 5 year guarantee for glass lined units.
 Residential: 7 year guarantee for solid copper rear flue.
 Commercial Use: 1 year guarantee. Commercial use is recognized as any application where the water heater serves more than two residential apartment units, and obvious applications such as restaurants, laundries, schools, etc.

SPECIFICATIONS: Therma-Flow Oil Fired Water Heaters

	REAR FLUE					CENTER FLUE		
	MODEL	E30C	E50C	E30GL	E50GL	E70GL	S30GL	S50GL
ROUGHING-IN DIA.'S	STORAGE CAPACITY—GAL	30	50	30	50	70	30	50
	DIAMETER	22	26	22	26	26	20	22
	HEIGHT	58	69	58	69	74½	48	58
	FLUE TO FLOOR	51	62¾	51	62¾	65½	N/A	N/A
	H.W. OUTLET TO FLOOR	60	72	60	72	76	52	61
	C.W. INLET TO FLOOR	21½	21	60	72	76	50	60
	BURNER TO FLOOR	9½	9½	9½	9½	9½	9½	9½
	AQUASTAT TO FLOOR	35¼	34¾	31¾	31¾	36½	26	20½
	FLUE COLLAR DIA.	6	6	6	6	6	6	6
OUTLETS	AQUASTAT (FEMALE)	¾	¾	¾	¾	¾	¾	¾
	C.W. INLET (MALE)	¾	¾	¾	¾	1	¾	¾
	H.W. OUTLET (MALE)	¾	¾	¾	¾	1	¾	¾
	RELIEF VALVE (FEMALE)	¾	¾	¾	¾	¾	¾	¾
COMBUSTION	COMBUSTION CHAMBER I.D.	10	12	10	12	12	10	12
	BURNING OPENING DIA.	4¼	4¼	4¼	4¼	4¼	4¼	4¼
	FIRING RATE: NOZZLE 70°	.75	.95	.75	.95	1.00	.75	.95
	BURNER TUBE LENGTH	6⅛	6⅛	6⅛	6⅛	6⅛	6⅛	6⅛
RECOVERY: GPH, 100°F RISE	110	135	110	135	147	99	130	
TANK	TEST PRESSURE	300	300	300	300	300	300	300
	WORKING PRESSURE	150	150	150	150	150	150	150
SHIPPING	LENGTH	24	26	24	28	28	24	24
	WIDTH	26	29	26	29	29	24	26
	HEIGHT	61	71	61	71	75	51	60
	WEIGHT	275	390	200	340	360	275	340

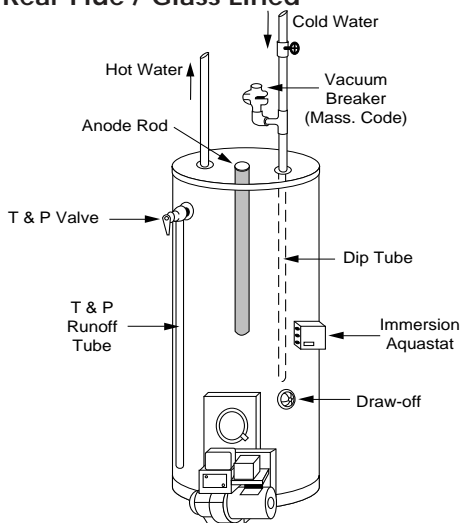
All measurements are in inches and U.S. gallons unless otherwise specified.

SUGGESTED WIRING:

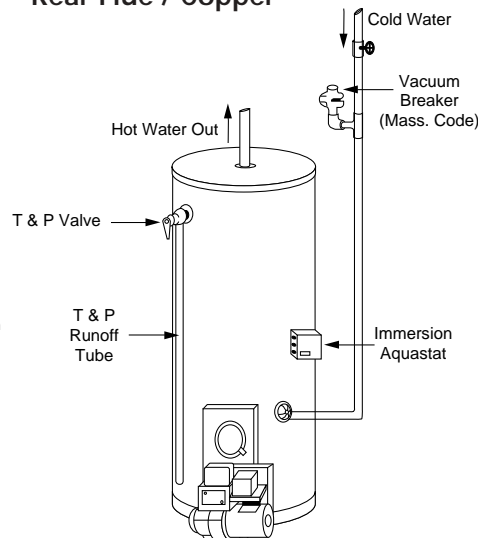


SUGGESTED PIPING:

Rear Flue / Glass Lined



Rear Flue / Copper



Center Flue

